

ECONOMIZING PROCESS CO₂ VAPORIZER (EPV)

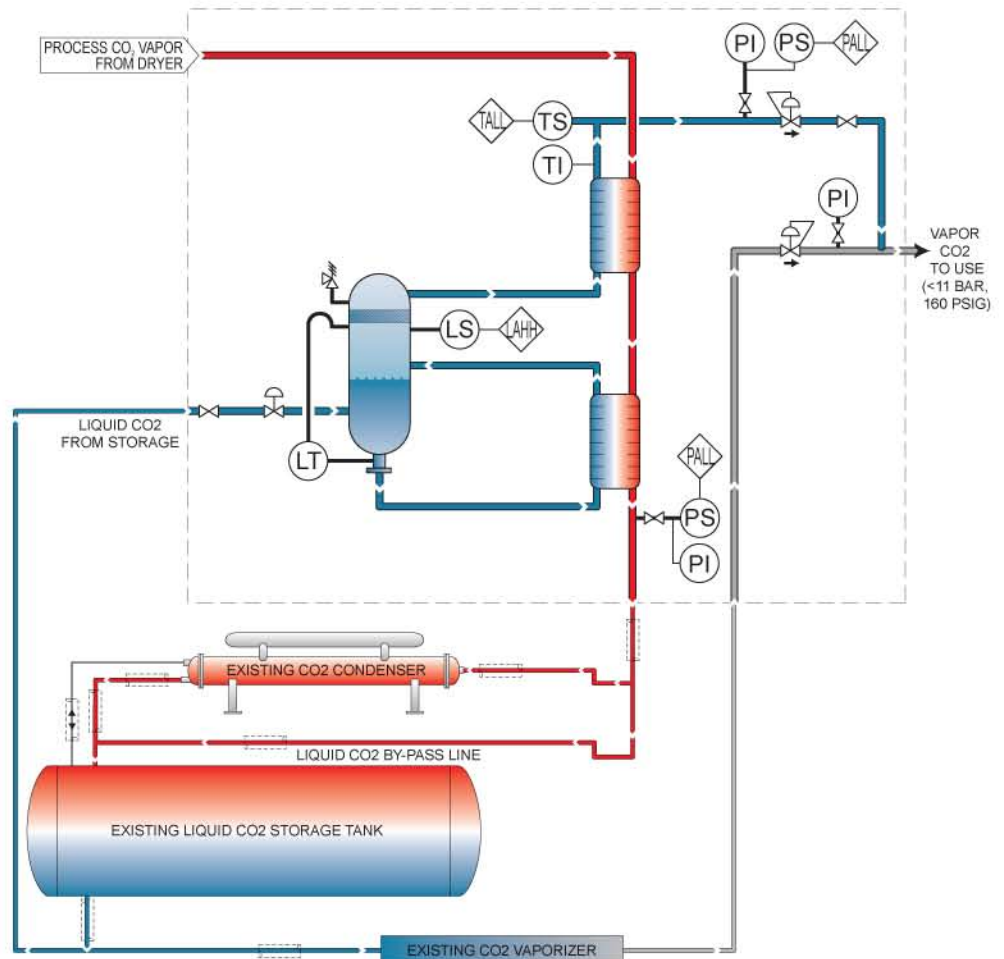
Energy saving vaporization of liquid carbon dioxide

The Economizing Process Vaporizer “EPV” uses warm CO₂ vapor from the recovery system to vaporize liquid process CO₂.

FEATURES

- ENERGY SAVING**
 - Reduces system refrigeration load by using process CO₂ exiting the dryer to vaporize liquid CO₂
 - No electricity, steam or other heat source required
- FULLY AUTOMATIC OPERATION**
 - Vaporized CO₂ demand is controlled and supplied by the EPV
 - Additional vaporized CO₂ demand is drawn from existing vaporizers
- COMPACT & EFFICIENT DESIGN**
 - Plate and frame heat exchangers provide high performance while requiring minimal floor space
- MINIMIZES INSTALLATION COSTS**
 - Unit comes with all necessary controls and valves
- MINIMIZES MAINTENANCE**
 - No electrical heating element
 - Minimal moving parts

Economizing Process Vaporizer (EPV)



EPV082007

WITTEMANN

ECONOMIZING PROCESS CO₂ VAPORIZER

Fully automatic controls include:

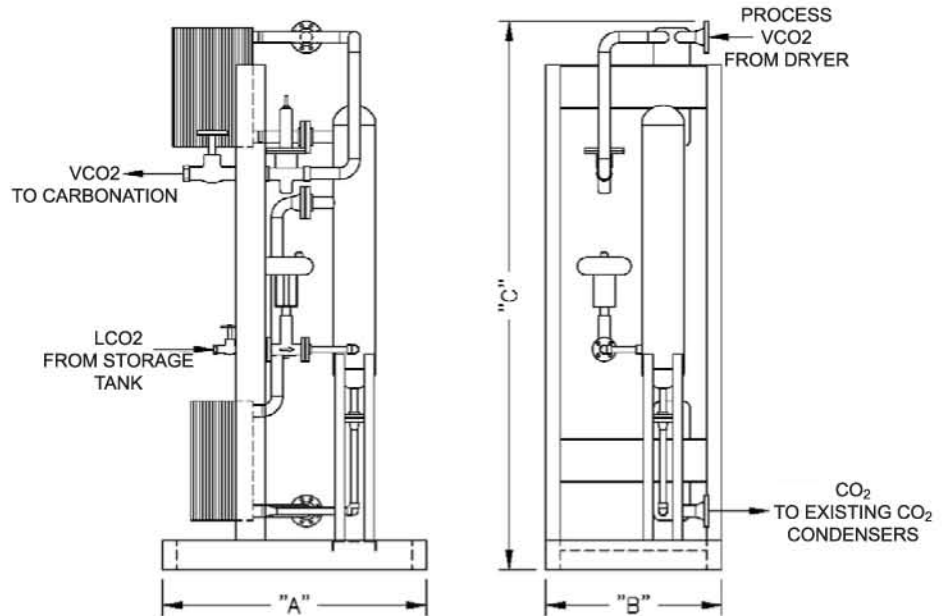
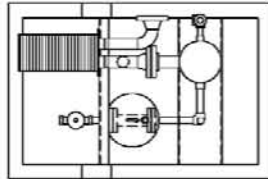
- CO₂ level control
- Pressure control regulators
- Shut-off valves
- Vapor CO₂ temperature switch
- Vapor CO₂ pressure switch
- Safety valve

Control panel consists of:

- On/off switch
- PID level controller
- Alarm to alert operator when CO₂ vapor pressure or temperature drops below preset limit

Additional items:

- Shipped loose CO₂ regulator and gauge for controlling CO₂ pressure from existing vaporizers



Model No.	Capacity ¹		A		B		C		Weight	
	lb/hr	kg/hr	ft	mm	ft	mm	ft	mm	Lbs	Kg
EPV1000	2200	1000	4'-6"	1370	3'-0"	910	9'-6"	2900	1100	500
EPV2000	4400	2000	5'-0"	1520	3'-0"	910	9'-6"	2900	1400	630
EPV3000	6600	3000	6'-0"	1830	4'-0"	1220	10'-0"	3050	1600	730
EPV4000	8800	4000	7'-6"	2290	4'-6"	1370	10'-0"	3050	1800	820
EPV5000	11000	5000	9'-0"	2740	5'-0"	1520	10'-6"	3200	2200	1000

¹Note: CO₂ capacity based upon maximum CO₂ flowrate exiting dryer.